



ENERG



TCL

40ES560X1



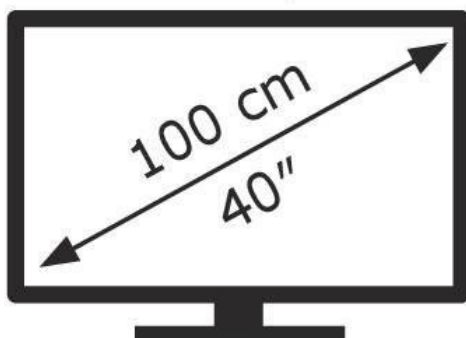
37 kWh/1000h

ABCDEF**G**



61 kWh/1000h

1920 px



1080 px